



Sovitron Interior Pvt.Ltd.



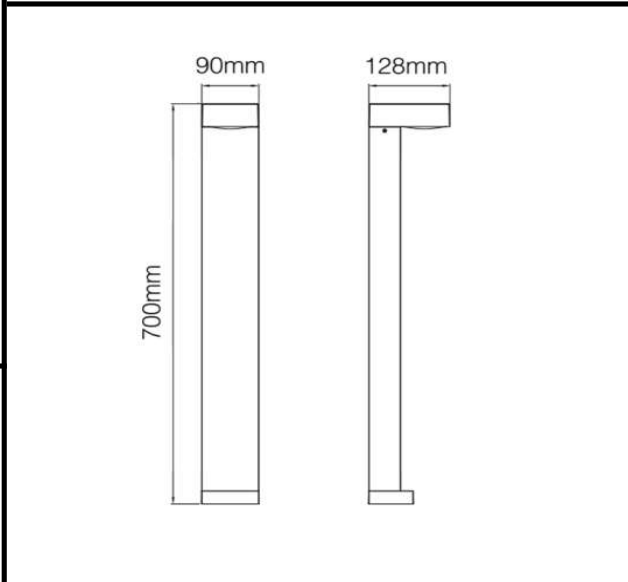
<b>Model Name</b>	JETT-R1710-700/DL-OYS-R1710-700
<b>Description</b>	Bollard light

Technical description	Image
-----------------------	-------

<b>Dimension</b>	L=128mm,W=90mm H=As per requirement
<b>Frame</b>	Aluminium Die-cast
<b>Color Tempertaure</b>	4000K
<b>Power</b>	6W
<b>Total Luminous Flux</b>	320 lm
<b>Efficacy</b>	53.3 lm/W
<b>IP rating</b>	65
<b>Color Rendering</b>	≥80
<b>Mounting</b>	Surface
<b>Optics</b>	Crystal glass
<b>Dimming</b>	NON-Dimmable
<b>Operating Voltage</b>	220-240 VAC
<b>Standard Lifetime</b>	L70 minimum at 50,000 burning hours



**Dimension diagram**



**Remarks:-**

Address: Plot #7 Saroorpur-Nangla Industrial Area,Ballabgarh-Sohna Road,Faridabad-121005  
Email: info@sovitron.com